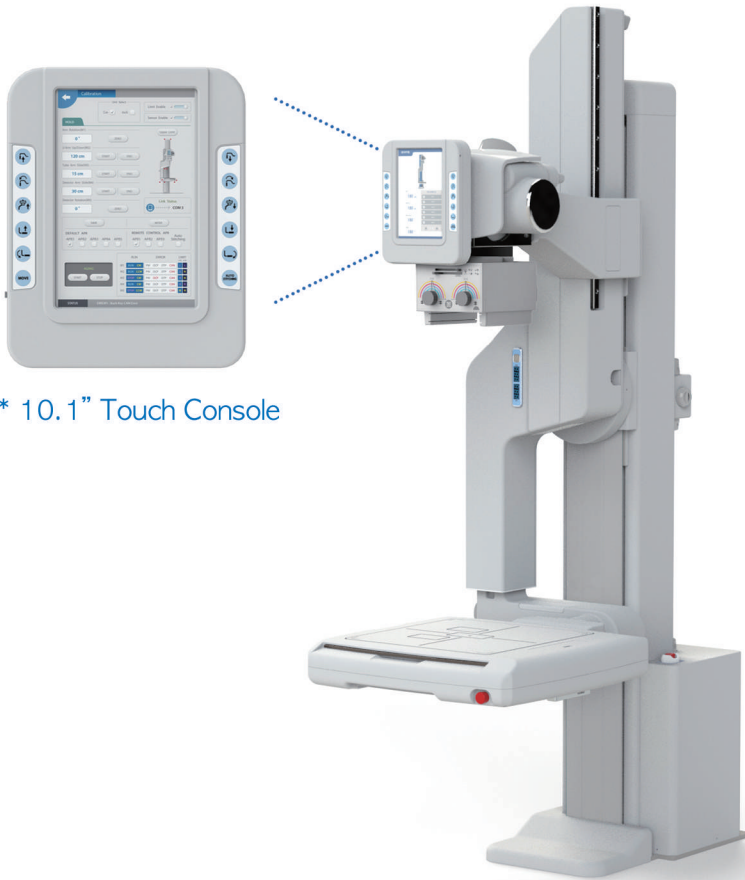


JUMONG U



* 10.1" Touch Console

JUMONG U, THE BEST CHOICE FOR LIMITED SPACE AND BUDGET

This single panel multi purpose universal arm system provides a cost effective ergonomic solution for the entire range of radiographic examinations

SUPERIORITY

A motorized universal stand and a basic mobile table complete the configuration
Fast and accurate acquisition of image via RAPS(Remote auto positioning system) support

DIGITAL
RADIOGRAPHY

FULLY
MOTORIZED
UNIVERSAL
STAND

BUILT-IN
DISPLAY
FOR
SID,ANGLE

TOUCH SCREEN
CONSOLE

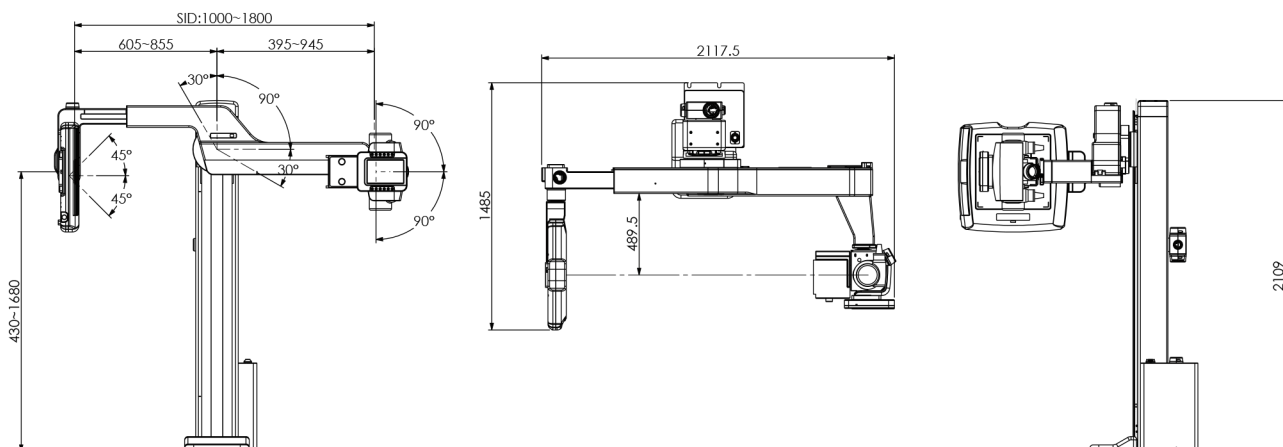
	50kW	65kW	80kW	
Generator	Type	Inverter type HF 200kHz+		
	Line nominal/phase*	3 Phase 208/230 VAC (150kV) / 3Phase 400/480 VAC (150kV)		
	High voltage ripple(typ.)	<1kV @ 100kV		
	kV range	40 - 125kV	40 - 150kV	40 - 150kV
	mA range	10 - 630mA	10 - 800mA	10 - 1000mA
	mAs range	0.1 - 630mAs	0.1 - 800mAs	0.1 - 1000mAs
	Anatomical program	768 techniques		
Tube	Type	Rotating Anode		
	Maximum voltage	150kV		
	Focal spot	Small : 0.6 mm / Large : 1.2 mm		
	Anode target angle	12°		
	Anode heat capacity	300 kHu	600kHu	600kHu
Collimator	Power supply	1 Phase 24VAC 50/60Hz		
	Related tube voltage	125kV		
	Filters	1.2mm Al		
	Intensity of illumination	LED over 160 lux		
Universal stand	Movement type	Motorized movement by button		
	Height	2,109 mm		
	SID	1,000 - 1,800 mm		
	Tube movement	395 - 945 mm		
	Detector movement	605 - 855 mm		
	Vertical movement	430 - 1,680 mm		
	Arm rotation	90°±30°		
	Tube rotation	±90°		
	Detector titling range	±45°		
Mobile table	Table to filtration	1.2 mm Al. equivalent @ 100kV		
	Length	2,050 mm		
	Width	630 mm		
	Height from floor	695 mm		
	Patient load capacity	220 kg		
	Table Weight	38 kg		

· UPGRADE AND OPTIONS : AEC ion chamber interface | DAP interface | Touch console(generator)

PACKING INFORMATION

Weight	645 kg	430 kg
Dimension	2,350 x 1,300 x 1,600	1,600 x 1,000 x 1,450

TECHNICAL DRAWING



HQ 113 Jungdae-Ro, Songpa-Gu, Seoul 05718, KOREA | Factory 10, Yangnyeong-ro, Moga-myeon, Icheon-Si, Gyeonggi-Do, KOREA

US Office 4801 Wilshire Blvd, Ste. 104 Los Angeles, CA 90010, USA | P +82 (0)2 449 6908 / +82 (0)2 449 6909 | E sales@sghealthcare.com | H www.sghealthcare.com