



The best healthcare possible

Jumong Mobile

SG HealthCare Jumong Mobile

Fast and accurate radiography from head to ankle



Reliable Basic Functionality Delivering Superb Performance



Compact and good visibility design for safety when travelling

Compact and good visibility design for moving safely. Lightweight design to achieve easy maneuverability in the hospital.

Simply "step over" obstacles

When moving around the hospital, even obstacles like a change in floor level can be easily negotiated by raising the body a little. With its large wheels, you can "step over" obstacles easily.

Sophisticated Radiography Functions

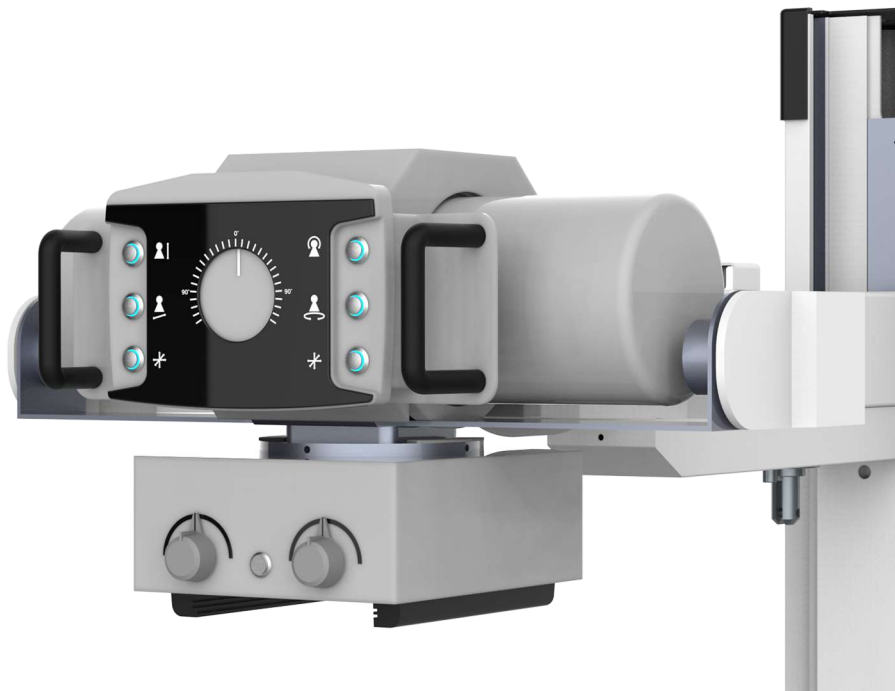


High Quality Imaging

The generator has a variable frequency range capable of reaching up to 60Hz. In practical terms, this translates to very high quality radiation intensity and hence production of excellent image quality compared to other types of generators.

APR buttons for one-touch setup of radiography conditions

Simply select one of the 192 preset anatomical programs (APR) to configure the optimal radiography conditions for the corresponding radiography region, direction, and body thickness.



Specification

* All specifications are subject to change

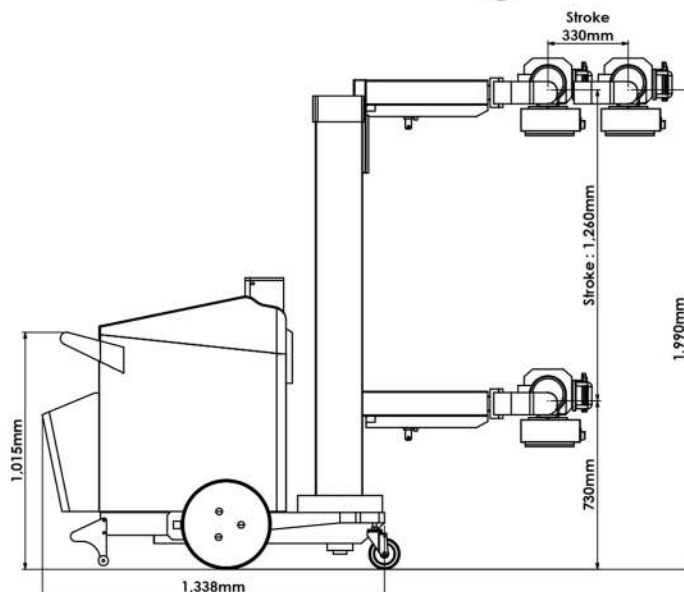
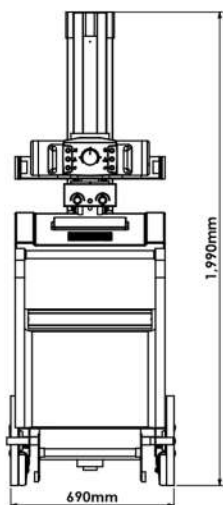
Generator	Input Voltage	40kW
	Input Frequency	50Hz / 60Hz
	Output Voltage Range	40 - 150kV
	Output Current Range	500mA
	Output mAs Range	80kV/140mAs
	Exposure time Range	1 - 6300ms
	Output Voltage Ripple	<1kV@110kV
	Capacitance	200,000 uF (micro farad)
	Auto Calibration	Standard Feature
	AEC, DAP	Available (Option)
	APR	Max 192, User Programmable
	Safety	IEC60601-1 3rd edition with Amendment 1; IEC60601-2-54; ISO 14971:2007_2012_2016, IEC62304 : 2006, Amd.1:2015, IEC60601-1-3 2008/Amd.1 : 2013
	EMI / EMC	IEC 60601-1-2 4th edition compliance
Tube	Type	Canon E7239X
	Focal Spot	1.0 - 2.0
	Operating Voltage	40 - 125kV
	Anode Heat Capacity	140kHu
	Target Angle	16
	Tube Voltage Range	40 - 125kV
	Filament Frequency Limits	0 - 25kHz
Collimator	Filters	1.2mm Al
	Intensity of Illumination	Over 180 lux
	Field size	Min 20x20mm, Max 430x430mm @1m FFD(SID)

DR UPGRADE OPTION (1717 Wireless Csl)

1717 Retro comfort	Active area	427 x 427 mm
	Pixel Matrix	3072 x 3072
	Pixel Pitch	139 µm
	Spatial Resolution	3.6 lp/mm



TECHNICAL DRAWING



[size : mm]



3. Service

Customer Oriented

Your values are of utmost importance to us. As a leading medical diagnostic device manufacturer, we take full responsibility in satisfying your needs by providing high quality products to the global market. Also, by collaborating user friendly interface and design, we actualize your desires and needs. We promise to stand by your side and always strive to add pleasure at your work place.

Approved Quality

We put great deal of emphasis on well-being of mankind. SG Healthcare upholds this value by manufacturing reliable and reasonable medical diagnostic devices. And also by distributing our quality products all over the world through fortified SG Healthcare's global network, we wish to present better life for every little breath.

24/7 Fast Response

We embrace all challenges and counter act with pride and quickness to all claims. Fast response offers customers with satisfaction and improves reliability of SG Healthcare. We strive to provide the most comprehensive service for every claim, regardless of location and time. This is how we have maintained friendship over 60 countries worldwide.

