

JUMONG MOBILE



**JUMONG MOBILE, A POWERFUL AND VERSATILE MOBILE UNIT,
GIVES YOU THE FREEDOM TO UPGRADE TO A FULLY INTEGRATED DIGITAL MOBILE SYSTEM**

Fast and accurate radiography from head to ankle with wide angle detector and tube
Efficient system that suits all type of medical examination centers especially small and midsize clinics

SUPERIORITY

Compact and light weighted system to allow maneuverability in any places
It gives you the freedom to upgrade to a fully integrated digital mobile

Mobile
Radiography

Conventional
Radiography

Manual
Movement

High Power
Monobloc

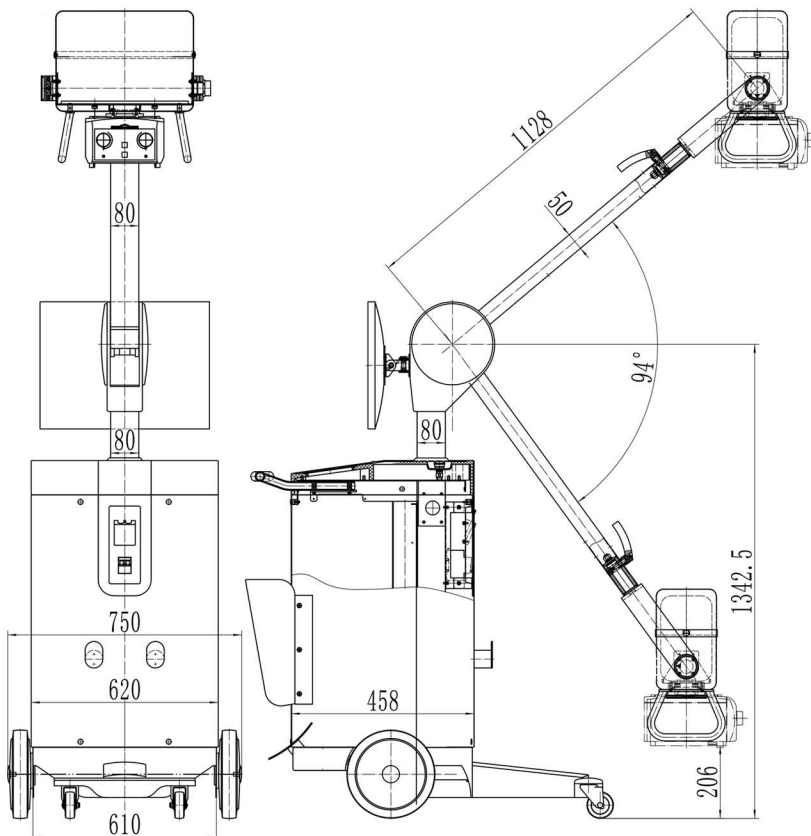
DR
Upgradable

SYSTEM CONFIGURATION & SPECIFICATION

* All specifications are subject to change

Generator	Type	Inverter type HF 100 kHz 1Ø 115VAC/220VAC VAC 50/60Hz
	Power	30 kW
	mA	425 mA
	Exposure time	0.001 – 0.5 s
	kV range	40kV–125kV(Stepof1kV)
	mAs range	0.5 mAs – 200 mAs (in 25 values)
	Total filtration	> 2.7 mmAl
Tube	Anode type	Rotating anode with 3,000 RPM
	Target angle	16°
	Focal spots	0.6 mm / 1.3 mm
	Max voltage	130 kV
	Nominal anode input power	11kW / 32kW
	Anode heat capacity	107 kHU
	Max filament	4.5 A
Min inherent	0.7 mmAl	
Collimator	Shutters to multiple plans	Parallels and perpendicular with manual movement
	Field size	min. 00x00mm, max. 430 x430mm @1m FFD (SID)
Operating Modalities	Anatomical program	40 technique (20 for LP and 20 for HP)
	Two-points techniques	kV-mAs

TECHNICAL DRAWING



HQ: 113 Jungdae-Ro, Songpa-Gu, Seoul 05718, KOREA | Factory: 10, Yangnyeong-ro, Moga-myeon, Icheon-Si, Gyeonggi-Do, KOREA

US Office: 4801 Wilshire Blvd, Ste. 104 Los Angeles, CA 90010, USA | P +82 (0)2 449 6908 / +82 (0)2 449 6909 | E sales@sghealthcare.com | H www.sghealthcare.com