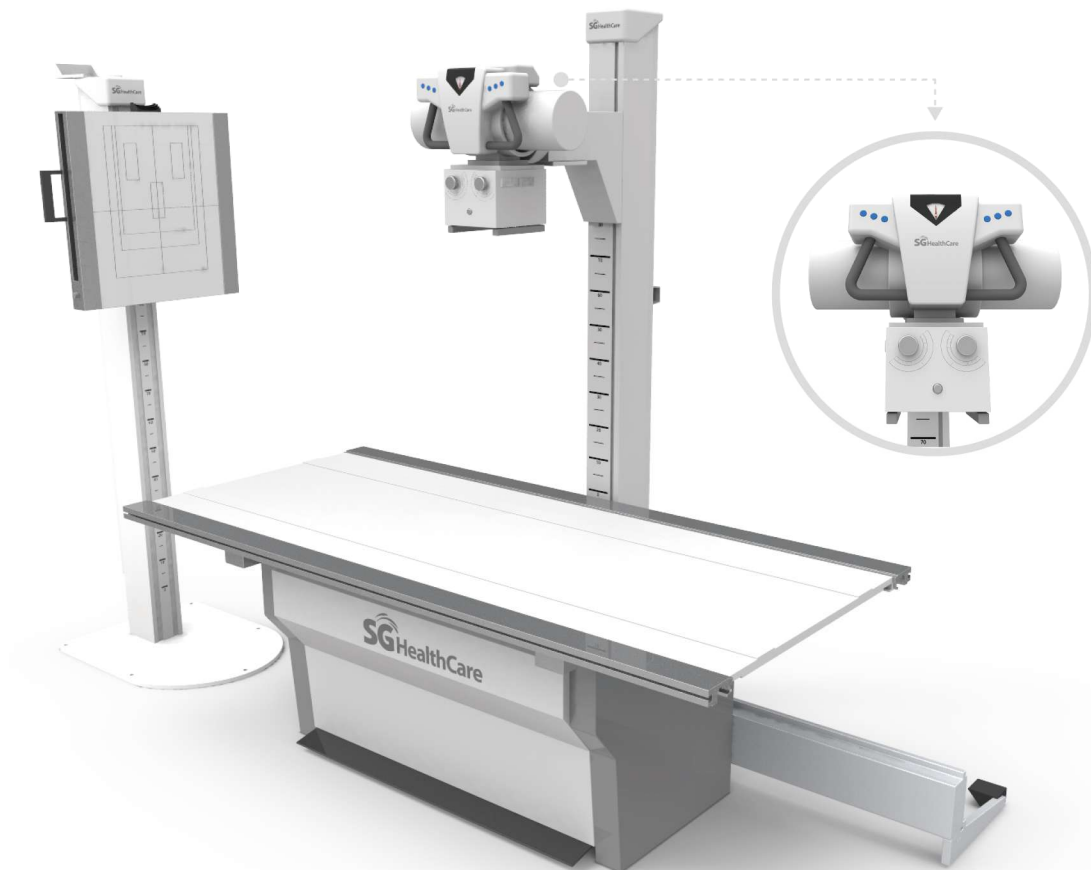


# JUMONG GENERAL



## Ultimate Choice in Conventional System

Ideal choice for a complete range of radiographic procedures and eliminates the needs for high-cost room modification

Floor rail conventional x-ray system

Enhance your workflow with compact and effective design of economic system

## SUPERIORITY

Great Expandability (Film, CR, Flat Panel Detector)

Economic Feasibility

Convenience and Compact Design

Durability



CONVENTIONAL  
RADIOGRAPHY



FLOATING  
TABLE



FLOOR  
WALL TUBE  
RAIL STAND



OSCILLATING  
GRID



DR  
UPGRADABLE

# SYSTEM CONFIGURATION & SPECIFICATION

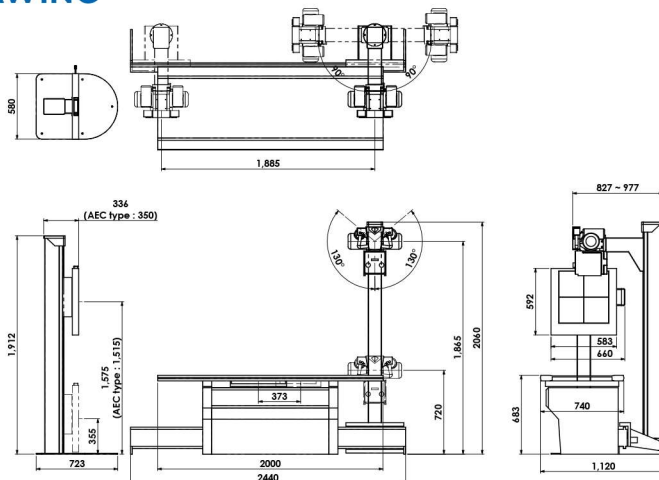
		40kw	50kw
Generator	Input Power	1Ø 230VAC 3Ø 380VAC	3Ø 380VAC
	kV Range	40 - 150kV	
	Output Frequency	450kHz	
	mAs Range	0.1 -1000mAs	
	Tube Current Range	10-500mA	10-630mA
	Exposure time Range	1.0 -6300ms	
	Tube Calibration	Automatic	
	Anode Rotation Drive	Low / Dual Speed Starter	
	Console	Membrane / Mini / Touch (Optional)	
Tube	Type	Toshiba E7239X	Toshiba E7252X
	Focal Spot	1.0 - 2.0	0.6 - 1.2
	Operating Voltage	40 - 125kV	40 - 150 kV
	Anode Heat Capacity	140kHU	300kHU
	Target Angle	16°	12°
Collimator	Power Supply	1Ø 24VAC 50/60Hz	
	Related Tube Voltage	125 kvp	
	Filters	1.2mm Al	
	Intensity of Illumination	LED over 160 lux	
GRID		103L 10:1 100/180cm	103L 10:1 100/180cm
HVC		10m	10m
Tube Stand	Heights	2060mm	
	Floor Rail width	2440mm	
	Vertical Movement	1165mm ±5mm	
	Horizontal Movement	1885mm ±5mm	
	Tube Stand Rotation	360°	
	Tube Rotation	360°	
	Telescopic movement	150 mm ±5mm	
Wall Stand	Wall Stand Heights	1912mm	
	Vertical Movement	1220mm ±5mm, AEC Type: 1160mm ±5mm	
Table	Weight Capacity	150 kg	
	Table Size	2000mm(W) x 740mm(L) x 683mm(H)	
	Movement	T:200mm ± 20mm H:730mm ± 20mm	
	Top Filtration	0.8mm Al equivalent	

- UPGRADE AND OPTIONS : DAP Interface | OP Console Stand

## PACKING INFORMATION

Weight	300kg	350kg	190kg
Dimension	2650x920x636mm	2200x1100x1050mm	1050x1000x1100mm

## TECHNICAL DRAWING



SGHealthCare

HQ: 113 Jungdae-Ro, Songpa-Gu, Seoul 05718, KOREA | Factory: 10, Yangnyeong-ro, Moga-myeon, Icheon-Si, Gyeonggi-Do, KOREA

US Office: 4801 Wilshire Blvd, Ste. 104 Los Angeles, CA 90010, USA | P +82 (0)2 449 6908 / +82 (0)2 449 6909 | E sales@sghealthcare.com | H www.sghealthcare.com